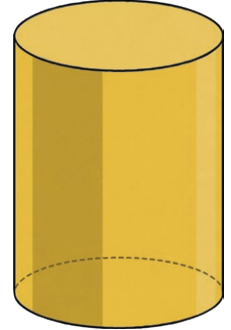


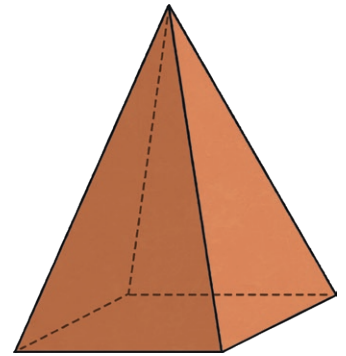
# Match the 3D Shapes

Match the 3D shape to the correct picture.

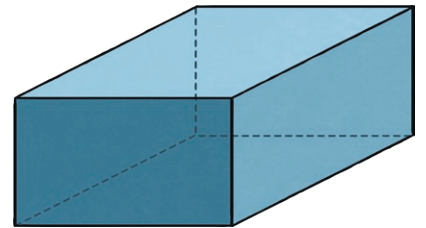
**cube**



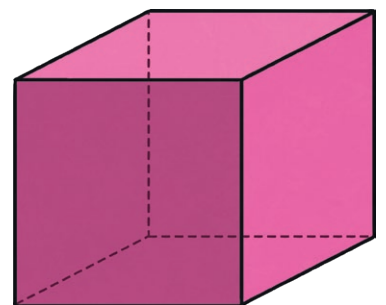
**cylinder**



**square-based  
pyramid**



**cuboid**



# Match the 3D Shapes

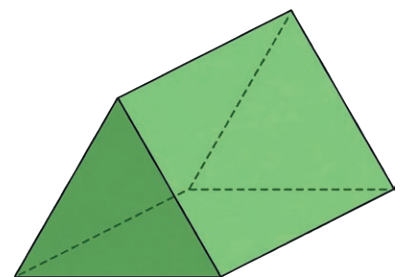
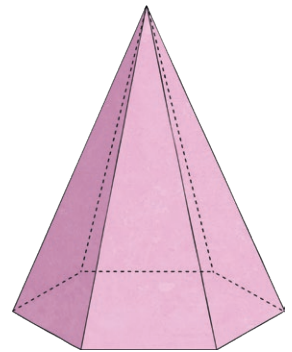
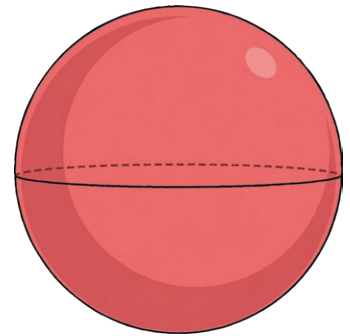
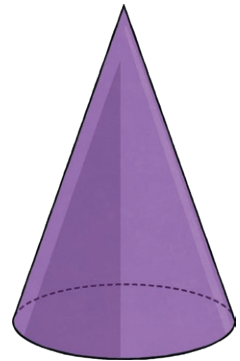
Match the 3D shape to the correct picture.

hexagonal-  
based pyramid

cone

triangular  
prism

sphere



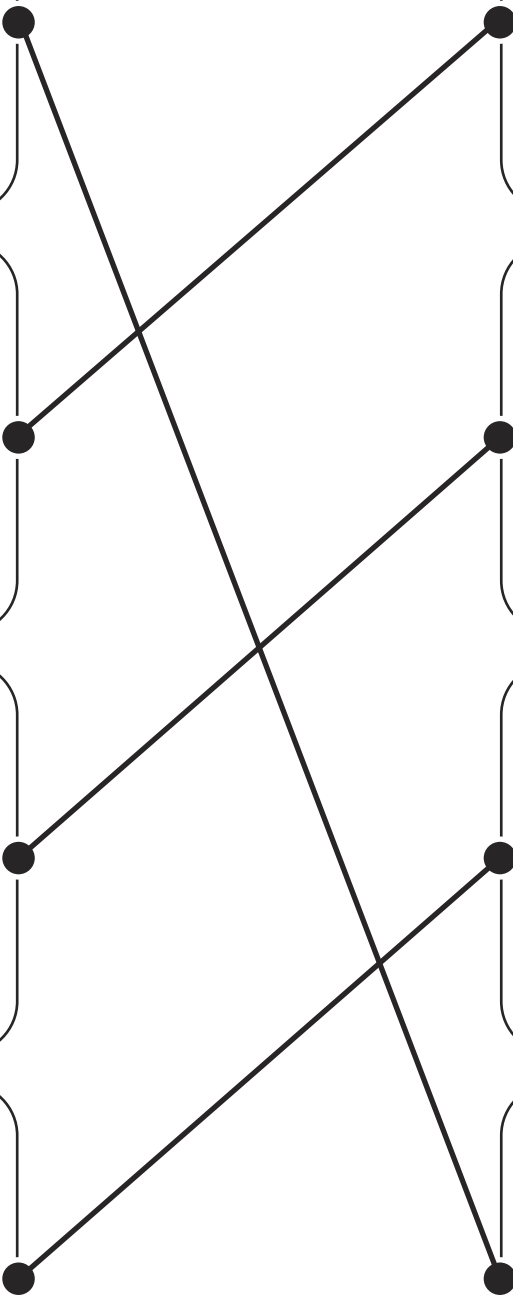
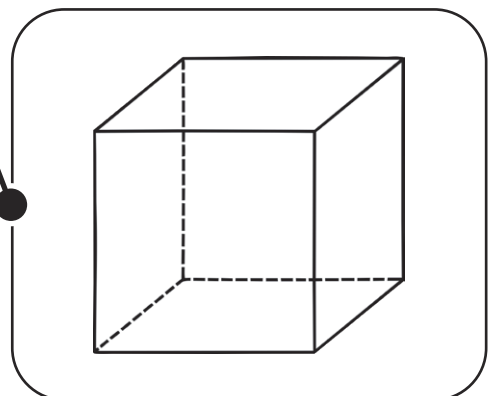
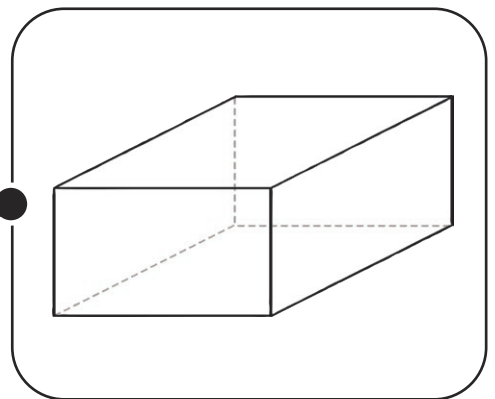
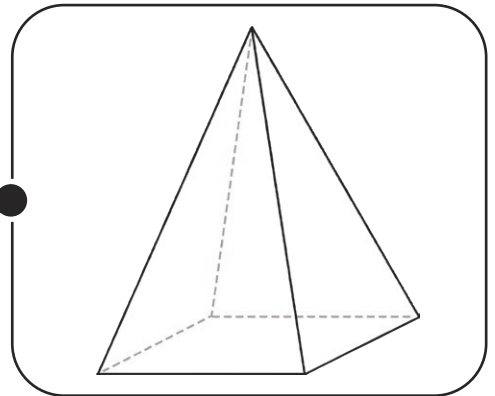
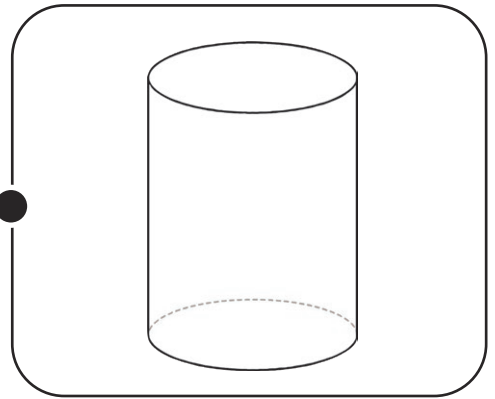
# Match the 3D Shapes **Answers**

**cube**

**cylinder**

**square-based  
pyramid**

**cuboid**



# Match the 3D Shapes **Answers**

**hexagonal-  
based pyramid**

**cone**

**triangular  
prism**

**sphere**

